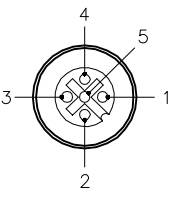
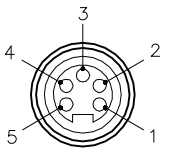
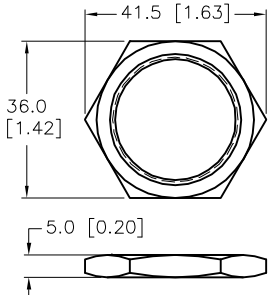
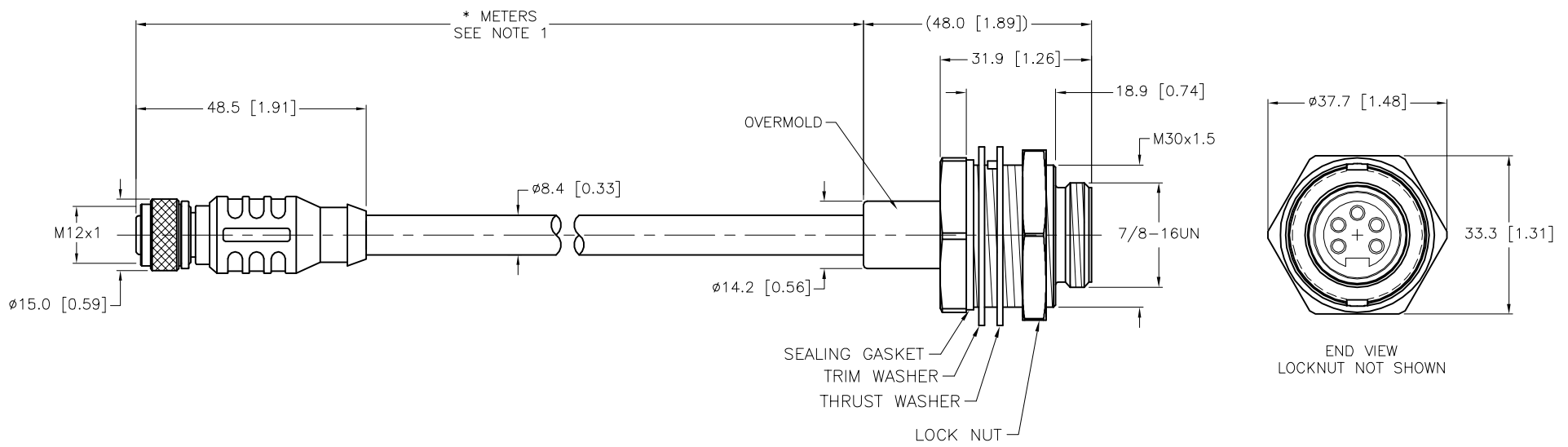
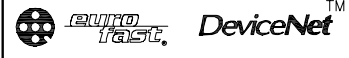
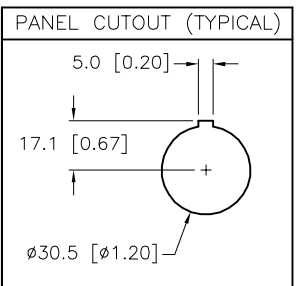


FEMALE END VIEW	MALE END VIEW	M30x1.5 LOCKNUT	SPECIFICATIONS	
 <p>1 = BARE (SHIELD) 2 = RED (+ VOLTAGE) 3 = BLACK (- VOLTAGE) 4 = WHITE (CAN_H) 5 = BLUE (CAN_L)</p>	 <p>1 = BARE (SHIELD) 2 = RED (+ VOLTAGE) 3 = BLACK (- VOLTAGE) 4 = WHITE (CAN_H) 5 = BLUE (CAN_L)</p>		CONTACT CARRIER MATERIAL/COLOR	TPU/BLUE-GRAY
			MOLDED HEAD MATERIAL/COLOR	TPU/BLUE-GRAY
			CONTACT MATERIAL/PLATING	BRASS/GOLD
			COUPLING NUT MATERIAL/PLATING (J1)	BRASS/NICKEL
			HOUSING MATERIAL/PLATING (P1)	BRASS/NICKEL
			GASKET MATERIAL	NITRILE
			RATED CURRENT [A]	4.0 A
			RATED VOLTAGE [V]	300 V
			OUTER JACKET MATERIAL/COLOR	PVC/GRAY
			CONDUCTOR INSULATION MATERIAL	FOAMED HDPE (DATA), PVC (POWER)
			NUMBER OF CONDUCTORS [AWG]	2x16 AWG, 2x20 AWG, 20 AWG DRAIN
			SHIELDING	FOIL (PAIRS), FOIL (OVERALL)
			TEMPERATURE RATING	-40°C to +80°C (-40°F to +176°F)
			PROTECTION CLASS	MEETS NEMA 1,3,4,6P AND IEC IP67
			ACCOMMODATES WALL THICKNESS	.050" (1.3mm) to .250" (6.4mm)

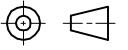


CABLE LENGTH	TOLERANCE*
ALL LENGTHS	+ 4% (OR 50mm) OF LENGTH - 0% (OR 0mm) OF LENGTH WHICHEVER IS GREATER
STRIP LENGTH	TOLERANCE*
0-7mm	±0.5mm
8-29mm	±1.0mm
30-49mm	±2.0mm
50-69mm	±3.0mm
70-100mm	±4.0mm
OVER 100mm	±5.0mm

* UNLESS OTHERWISE SPECIFIED



SOURCE DRAWING - FOR REFERENCE ONLY

RELATED DOCUMENTS	3RD ANGLE PROJECTION	THIS DRAWING IS CONFIDENTIAL AND THE PROPERTY OF TURCK INC. USE OF THIS DOCUMENT WITHOUT WRITTEN PERMISSION IS PROHIBITED.		3000 CAMPUS DRIVE MINNEAPOLIS, MN 55441 1-800-544-7769 (763) 553-7300 (763) 553-0708 fax www.turck.us	
1.		DRFT	RDS	DATE	12/22/04
2.		APVD		SCALE	1=1.3
3.	ALL DIMENSIONS DISPLAYED ON THIS DRAWING ARE FOR REFERENCE ONLY	UNIT OF MEASUREMENT			DESCRIPTION RKC RSFP 5711-*M
4.		MILLIMETER [INCH]			
MATERIAL	CONTACT TURCK FOR MORE INFORMATION	IDENTIFICATION NO.			REV
FINISH		DO NOT SCALE THIS DRAWING			D
FILE: 777006765		SHEET 1 OF 1			

NOTES:

1. "*" INDICATES CABLE LENGTH IN METERS. CONTACT TURCK TO ORDER SPECIFIC LENGTHS.

D	DRAWING PROCESSED AS PART OF ECO 33971	CBM	04/06/11	33971
REV	DESCRIPTION	BY	DATE	ECO NO.